



Choose
the future

Choose
BRAUMS
"ITS" Moving Traffic

VEHICLE LANTERNS 200MM AND 300MM

Leading technology

Energy efficient

Central light source

Environmentally friendly

VEHICLE LANTERNS 200MM AND 300MM

Key Features

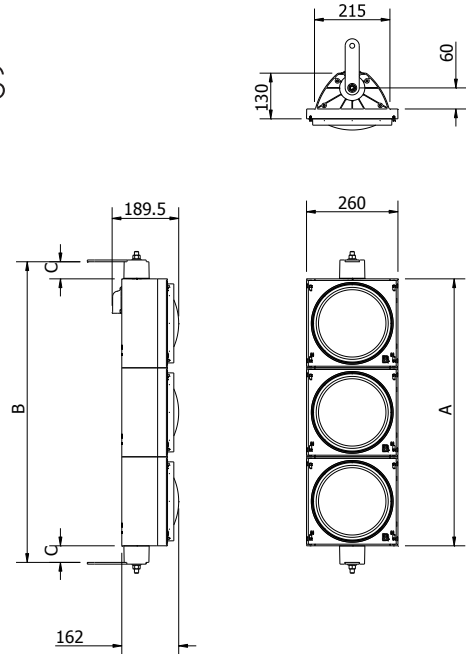
- BRAUMS Lanterns utilise the FuturLEDR3 Optical System from SWARCO FUTURIT
- Proven technology with >3,500,000 units installed
- AS2144 compliant
- All products traceable by serial number
- Central light source with very uniform signal display without visible LED dots
- Advanced thermal design ensuring optimum heat dissipation and minimum degradation
- BRAUMS Slimline housings are made from mouldings and not fabricated, ensuring a consistently manufactured product of the highest quality
- Housings are available in either Injection Moulded UV Stabilised Polycarbonate or Pressure Diecast Aluminium
- Housings are rated to IP35 (Optical system is IP65)
- Housing is lightweight making installation safer and easier
- Housings are single aspect allowing modular assembly and flexible configuration
- Dual hinged doors for left or right opening; easy single-handed operation
- Discreet locking device included for hinges if required
- Accommodates all AS/NZS 2144 compliant signalling hardware accessories



VEHICLE LANTERNS 200MM

200mm Lantern Dimensions

ASPECTS	DIM "A"	DIM "B"	DIM "B" (AS2144)	DIM "C"
1	253.5	317.7	317	32
2	507	577	577	35
3	760.5	856.5	857	46
4	1014	1096	1097	41



Photometric Data

Colour	Power (W)	Chromaticity Coordinates (x,y)		Luminous Intensity (cd)
		X	Y	
Red ●	7.2	0.649	0.306	As per AS2144
Yellow ●	10.2	0.559	0.439	
Green ●	8.3	0.097	0.546	

Manual Handling Data

Lantern Weight	Polycarbonate (kg)	Aluminium (kg)
3 Aspect	6.9	8.6
2 Aspect	5	6.1
1 Aspect	3	3.3

Ordering Details

Lantern	Part Number		Suffix Code								
	Aluminium	Polycarbonate	BCC	QLD	NSW	VIC	TAS	SA/NT	WA	ACT	NZ
3 Aspect	BTLAV23	BTLPV23	BCC	Q	N	V	N	S	W	C	NZ
2 Aspect	BTLAV22	BTLPV22	BCC	Q	N	V	N	S	W	C	NZ
1 Aspect	BTLAV21	BTLPV21	BCC	Q	N	V	N	S	W	C	NZ

Retrofit	Part No
Red	RV0200
Yellow	YV0200
Green	GV0200

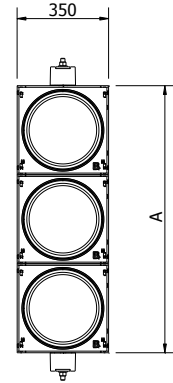
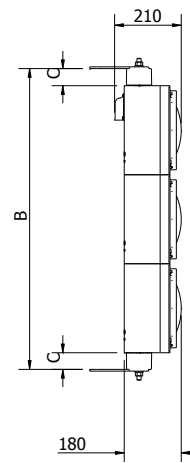
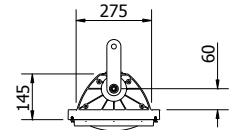


"ITS" Moving Traffic

VEHICLE LANTERNS 300MM

300mm Lantern Dimensions

ASPECTS	DIM "A"	DIM "B"	DIM "B" (AS2144)	DIM "C"
1	339.5	403.5	397	32
2	679	749	747	35
3	1018.5	1094.5	1097	38
4	1358	1422	n/a	32



Photometric Data

Colour	Power (W)	Chromaticity Coordinates (x,y)		Luminous Intensity (cd)
		X	Y	
Red ●	7.2	0.692	0.307	As per AS2144
Yellow ●	10.3	0.565	0.434	
Green ●	8.3	0.067	0.581	

Manual Handling Data

Lantern Weight	Polycarbonate (kg)	Aluminium (kg)
3 Aspect	10.2	12.0

Ordering Details

Lantern	Part Number		Suffix Code								
	Aluminium	Polycarbonate	BCC	QLD	NSW	VIC	TAS	SA/NT	WA	ACT	NZ
3 Aspect	BTLAV33	BTLPV33	BCC	Q	N	V	N	S	W	C	NZ
2 Aspect	BTLAV32	BTLPV32	BCC	Q	N	V	N	S	W	C	NZ
1 Aspect	BTLAV31	BTLPV31	BCC	Q	N	V	N	S	W	C	NZ

Retrofit	Part No
Red	RV0300
Yellow	YV0300
Green	GV0300


www.braums.com.au
BRAUMS Pty Ltd
 Telephone: +61 2 9684 3399
 Facsimile: +61 2 9684 3390
 E-mail: info@braums.com.au
 Unit N,10-16 South Street,
 Rydalmere NSW 2116 Australia
 PO Box 324 Ermington NSW 2115
SAI GLOBAL ABN 31 150 551 732

